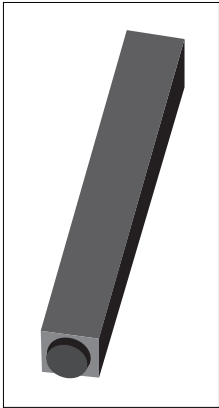


IMPORTANT!

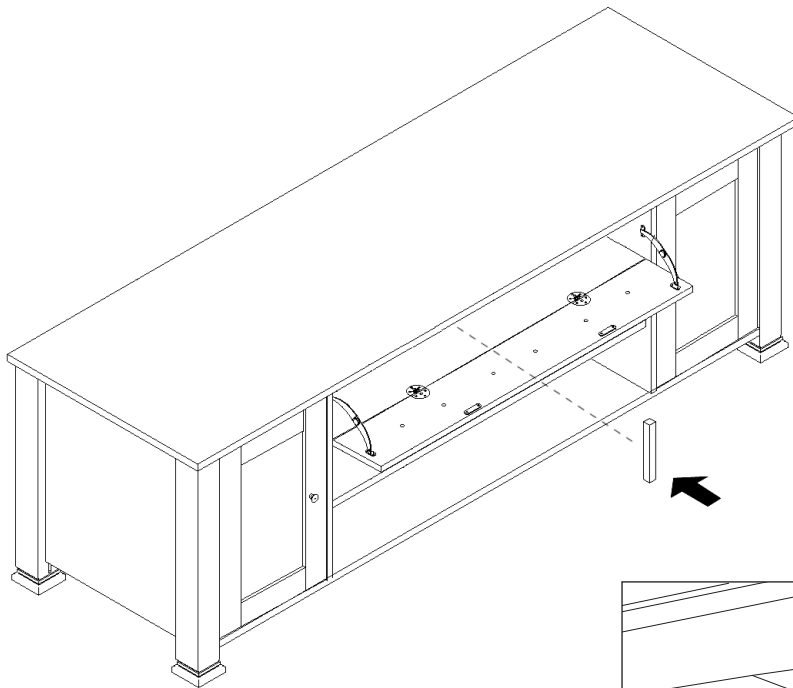


Additional Top Shelf Support Post for WAVS-330

The WAVS-330 Real Wood Cabinet has been tested to support most TVs up to 73". It is important to note that some larger televisions come with a pedestal base that the TV sits on. With this type of television, most of the TV's weight will be concentrated into a small, central area on the top shelf of your WAVS-330 cabinet.

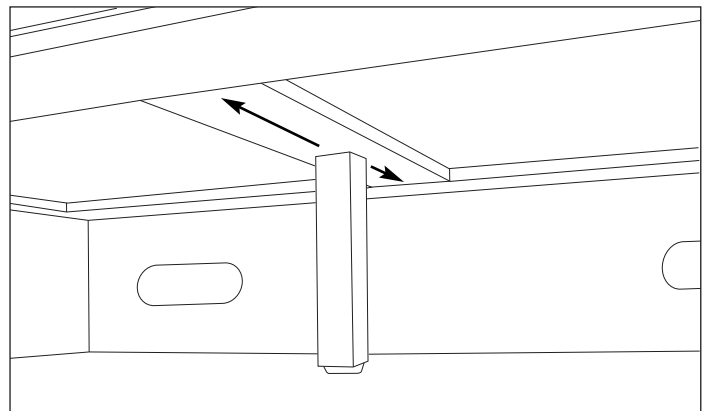
If this is true with your television, please use the included adjustable post to add support to the cabinet top. Place the support post inside the space behind the top drop down door as shown. It should be placed below the central support beam that is beneath the top of the cabinet. This post can be placed anywhere inside the cabinet along that beam.

There is an adjustable rubber foot to ensure a tight fit. Turn the foot clockwise or counter-clockwise to adjust.



Place support post inside the space behind the top drop down door as shown.

Place post below the central support beam that is beneath the top of the cabinet. Post can be placed anywhere inside the cabinet along that beam.



Bell'O International Corporation
711 Ginesi Drive • Morganville, NJ 07751-1235
Customer Service: (888) 235-7646
E-mail: support@bello.com • Web: www.bello.com

WAVS-330 PATENT PENDING