



Lovan Harmony

L O V A N[®]
U S A

15930 Downey Avenue | Paramount, CA 90723
T: 562-602-2333 | F: 562-602-2999 | E: info@lovanusa.com

Lovan USA proudly introduces the Lovan Harmony Plasma/LCD Lift Cabinet. This product comes fully assembled and ready to "Plug and Play". The Cabinet is available in a rich walnut color and the lift is manufactured out of precision mechanical components:



Perforated Holes
in back for cable management.

Cabinet

Center Channel, DVD Player or Cable Box compartment covered with a black fabric mesh. The Harmony has the grace and elegance of a classic look. The 2 door front storage helps organize all your DVD's and VHS tapes. The base of the cabinet also comes with adjustable footers to help with leveling. The Harmony is fully assembled with plug and play features. Available in a Dark Walnut Finish

Nexus-lift

- >> Smooth & Fast ~ High Speed~ less than 15 seconds to fully open/close. Speed 43 mm/s
- >> Low and uniform Noise Level. Less than 50 db
- >> Anti-collision™ Software included. The Lovan Nexus-Lift control box is an innovative microprocessor which includes ANTI-COLLISION software. It can limit material damage if an impact with a solid object should occur. The Lovan Nexus-Lift control box is designed to react by automatically stopping and reversing directions in the event an object interferes with its designated path
- >> 180 lbs. Lift Capacity. Listed according to UL73
- >> The Lovan Nexus-Lift Lift System has been tested under full load for over 25,000 cycles ~ without a fault.
- >> Extraordinary 60 month warranty against manufacturing defects.
- >> Unit includes Lift Column, Screen Mount, Top and Base Plate, 1 IR Remote Control Unit, and Control Box..
- >> No maintenance required and Patent pending

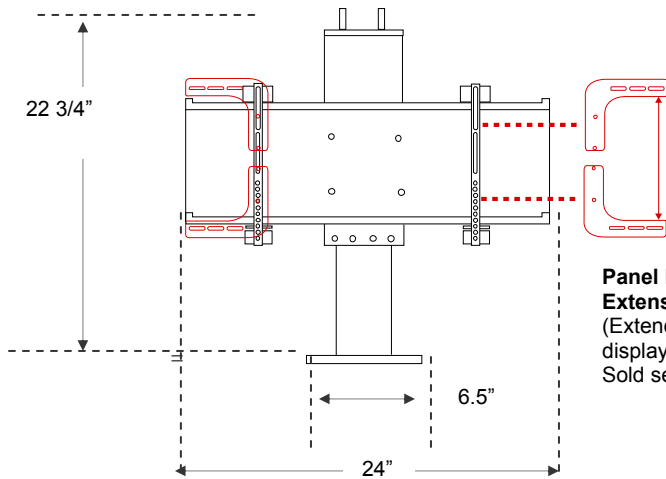
DESCRIPTION	MSRP	MODEL #
Harmony Plasma Lift Cabinet (Complete fully assembled Cabinet and Lift)	\$3,499.99	L-HARW-4826
Nexus Universal Plasma/LCD Lift Up to 42" TV and 26" Rise	\$2,359.99	L-NEX-4226
Panel Display Mount Extensions** (Extends the mounting holes for display panels, see picture above)	\$79.99	L-NEX-EXT



LOVANA®
U S A

Lovana Harmony Dimensions

15930 Downey Avenue | Paramount, CA 90723
T: 562-602-2333 | F: 562-602-2999 | E: info@lovanusa.com



Panel Display Mount Extensions**

(Extends the mounting holes for display panels, see picture above. Sold separately)

