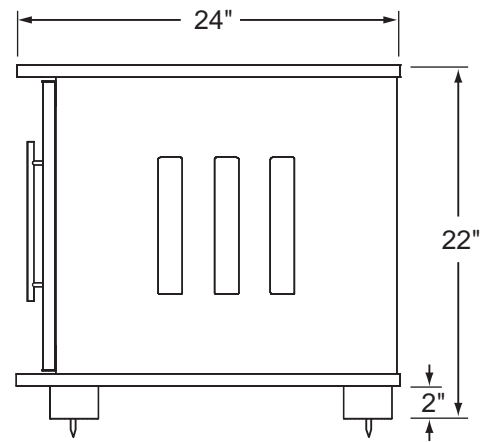


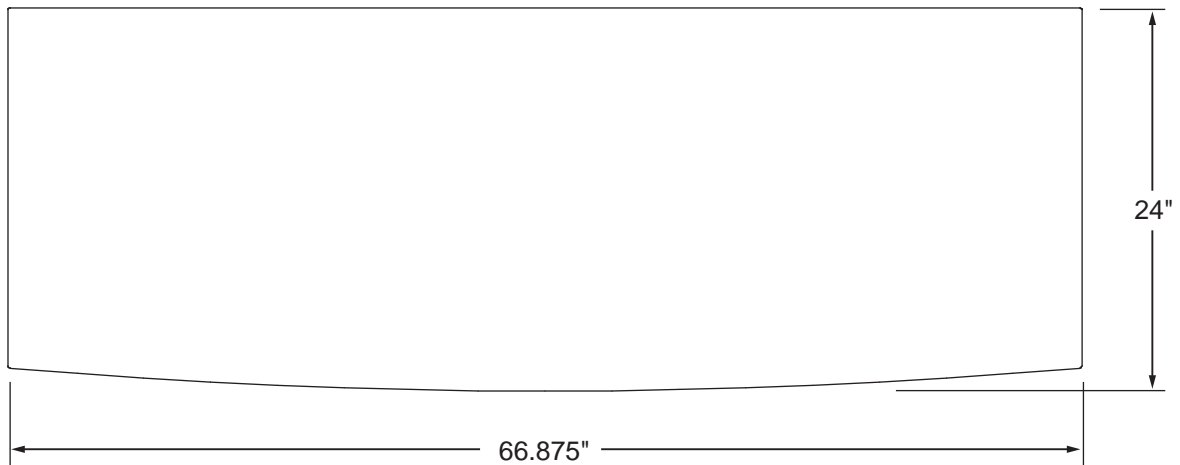
Weight Limit Recommendation (in lbs.)

250		
60	60	60
100	100	100

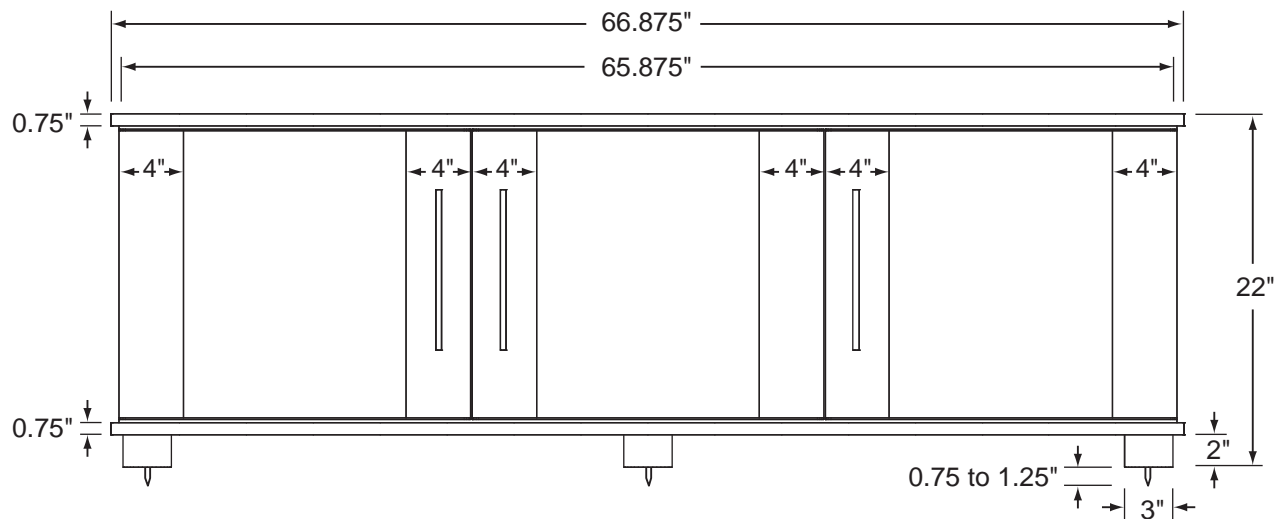
Note:
Total weight not to exceed 300 lbs



SIDE VIEW



TOP VIEW



FRONT VIEW (3 Doors Configuration)

Usable inside shelf size (w x d): 20.9" x 20.25"

Weight Capacity of Top Shelf See diagram above

Weight Capacity of Adjustable Interior Shelf: See diagram above

Usable inside dimensions (w x h): 20.9" x 18.5"

Carpet Spikes: Brass with locking nut (included)

Vinyl Glides: Threaded plastic foot with locking nut (included)

Rolling Casters: (optional)

No. of shelves included: 6 (3 adjustable)

Additional shelves: (optional)