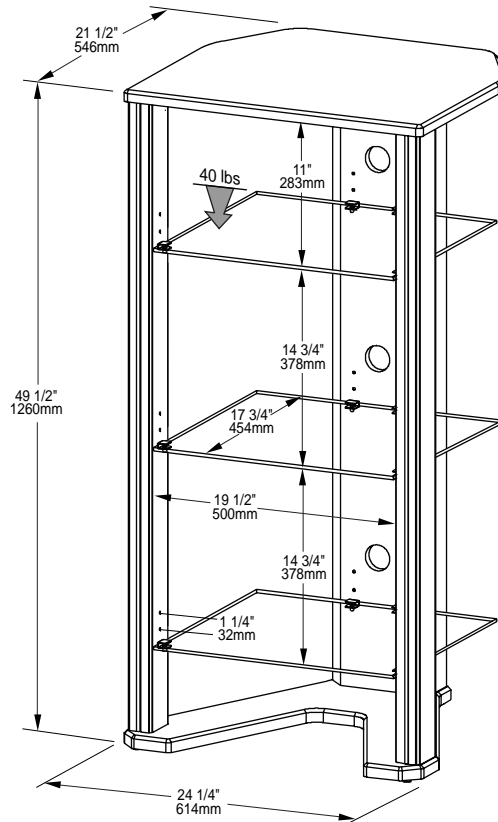


NVH480

Specifications subject to change without notice.



Carton dimensions

(h) 4.75" / 121mm

(w) 33.75" / 857mm

(d) 51.25" / 1302mm

Gross Weight

67 lbs / 30.42 kg

Volume

4.75 cu ft / 0.133 cu m

No. of units per pallet

13 units

UPC code

6-23788-00198-6