



Free Stand FS-26-922



A distinctly European styled free standing electric fireplace from Sierra Flame by Amantii.

Featuring a beveled glass viewing area that gives an almost 'see-thru' effect on three sides.

With no installation boundaries, no need for mounting brackets or building into a wall, this free stand model goes in any room you like.

Virtually no assembly required - just simply plug in and enjoy!

Vibrant multi-colored state-of-the-art flame that is easily changed from blue to purple to violet to orange or yellow with just a click of the remote. Three color strips generate more flame options than ever! · Thermostat hard-wire ready · Electrical hard-wire ready · Ambient canopy lighting in 13 colors · Heats approx. 400-500 sq. ft. · Dual Flame technology - 2 flame sets · Flame operates with or without heat · Remote control for flame and heater · Comes with 11 piece log set, sable glass and Himalayan salt crystals. Optional decorative media selections are available.

Key Features



Heater & Fan



Temperature maintenance control - keep your space warm & cozy



Perfect for zone heating approx. 500 sq ft.



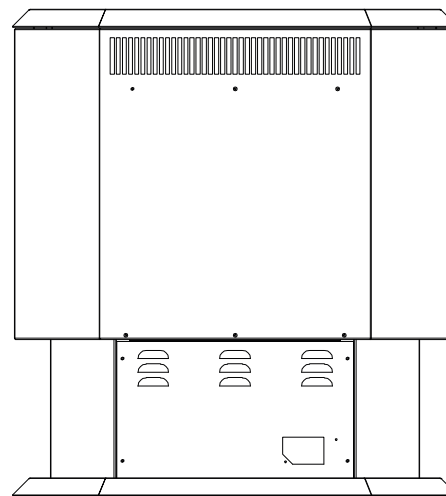
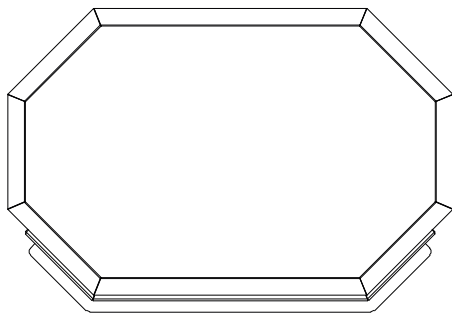
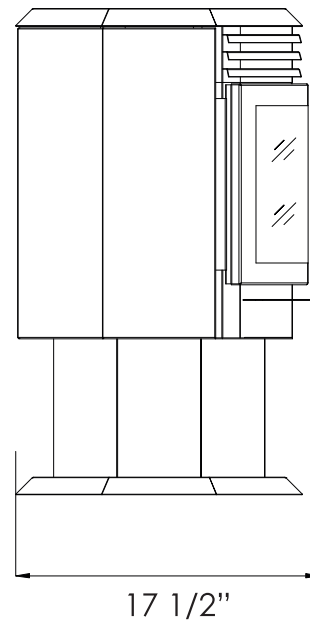
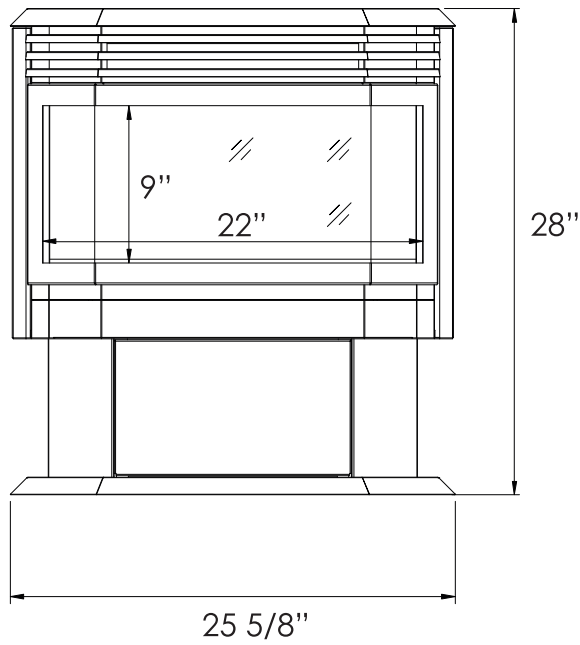
Stunning flame - from contemporary to life-like traditional



Change the appearance of included media like never before with the NEW LED ambient canopy lighting in 13 colors.



Shown with optional Amantii 'ICE' decorative media



TECHNICAL SPECIFICATIONS		
VOLTS	120	
AMPS	12.5	
WATTS	1500	
HEATER	HIGH	1500 watts
	LOW	750 watts
NO HEATER	22 watts	
LAMPS	QUANTITY	LED
	WATTS	
	TOTAL WATTS	22 watts
ROTOR MOTOR	1 at 5 watts	
HEIGHT, WIDTH, DEPTH	28 x 25 5/8 x 17 1/2"	
GLASS VIEWING OPENING	9" x 22"	
SURROUND SIZE		
SHIPPING SIZE	32" x 28 3/4" x 23"	
SHIPPING WEIGHT		69 lbs
	UNIT	
	GLASS FRONT	Included
PLUG LOCATION	Back	
CORD LENGTH	70"	
APPROX. HEATING AREA	400 sq ft	

SERIES	MODEL	REV
FREE STAND	FS-26-922	1
SCALE 1" = 1'-0"		DATE: 5/1/2016
		SHEET 1 OF 1