


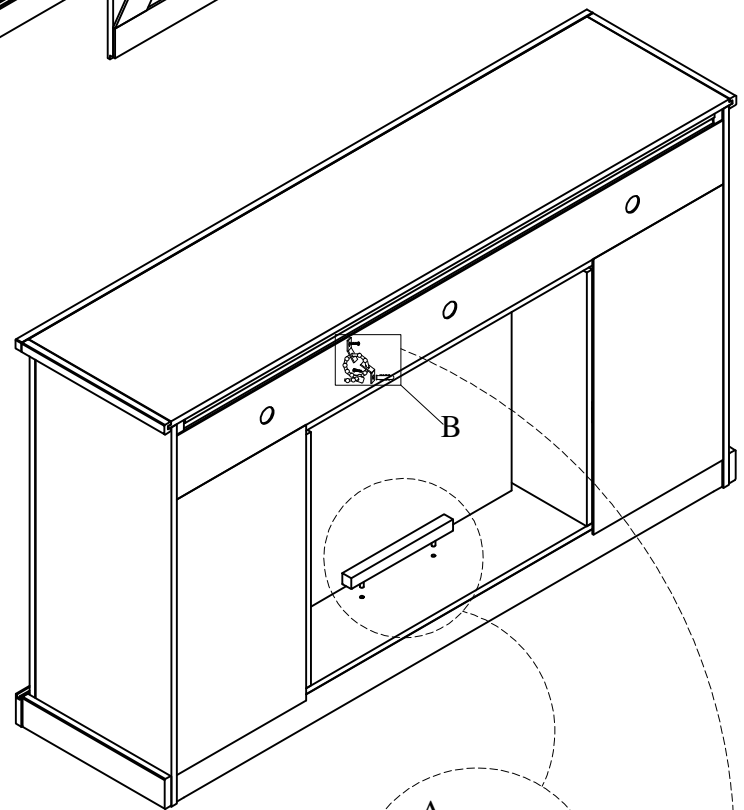


PART #	DESCRIPTION		QTY
A	Wood stretcher		1PC
B	TIPPING RESTRAINT PACK		1PC
C	THE DOOR		2PCS



1. Remove fireplace insert from separate box .
2. Slide insert into cabinet from the back .
3. Put the wood stretcher (A) dowels into the corresponding holes on the bottom panel (behind the fireplace) .
4. The door (C) is hooked to the iron bar in front of the cabinet .

