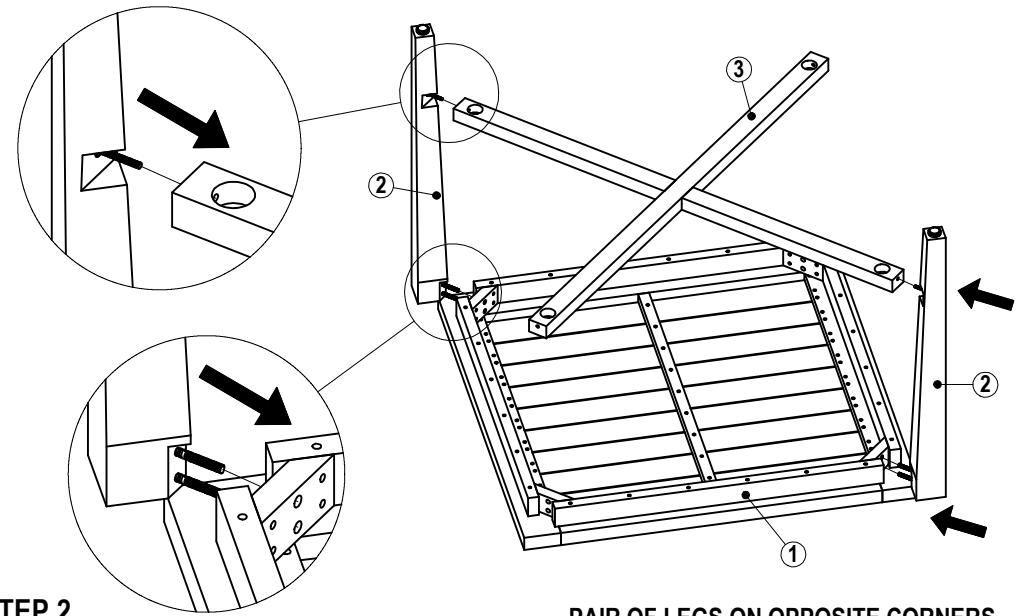


STEP 1







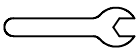
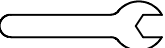
INSERT THE THREADED ROD INTO THE LEG



STEP 2

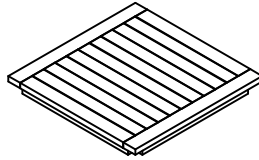
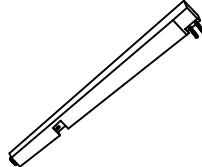
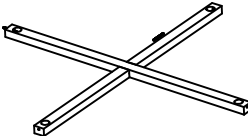
PAIR OF LEGS ON OPPOSITE CORNERS

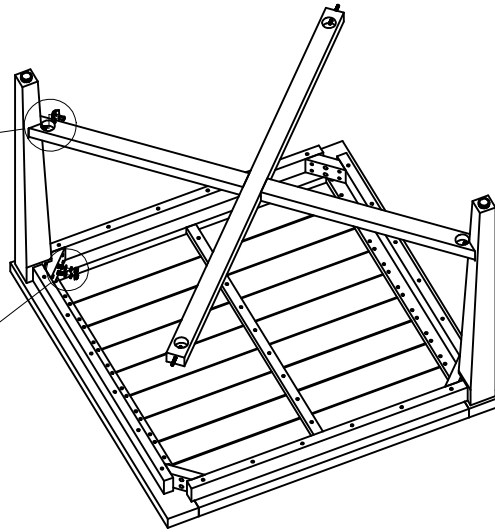
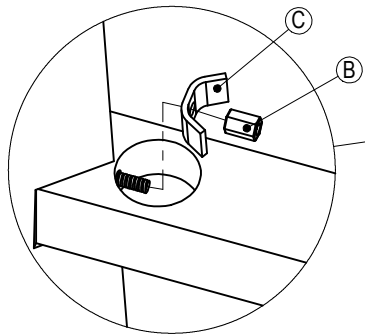
HARDWARE LIST

A		THREADED ROD M6 X 75MM	4
B		LONG NUT M6 X 15MM	4
C		CURVE WASHER	4
D		NUT M8 SS	8
E		SPRING WASHER M6 X Ø11MM	8
F		FLAT WASHER M6 X Ø18MM	8
G		WRENCH 10	1
H		WRENCH 13	1

**ASSEMBLY INSTRUCTIONS
CARMEL OUTDOOR 42" SQUARE COUNTER TABLE**

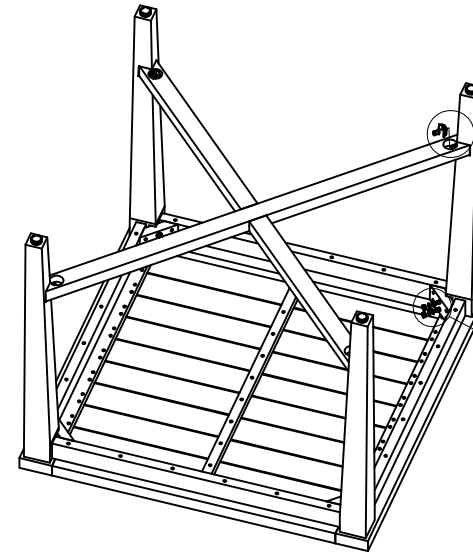
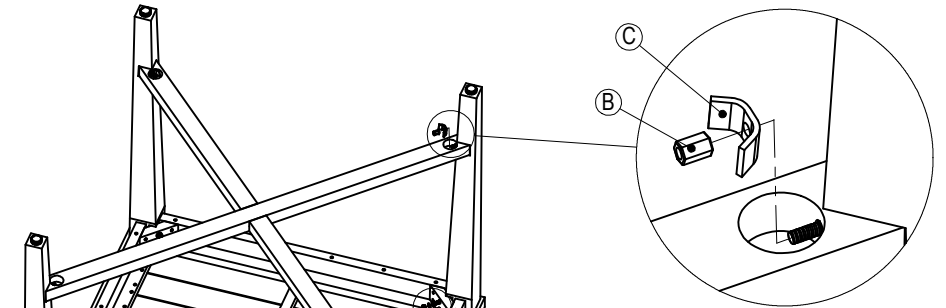
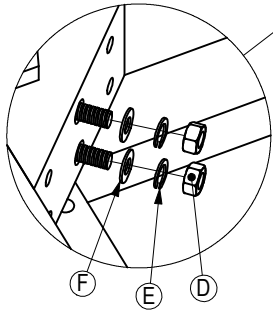
COMPONENT LIST

1		TABLE TOP	1 PC
2		LEG	4 PCS
3		X-BRACE STRETCHER	1 PC



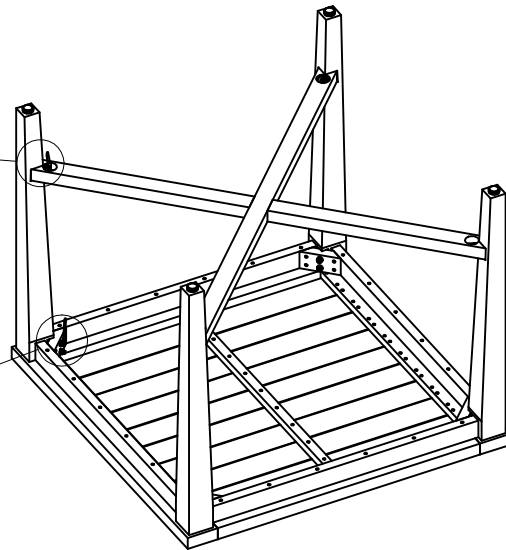
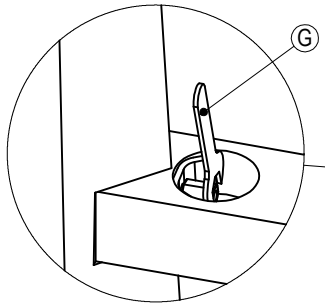
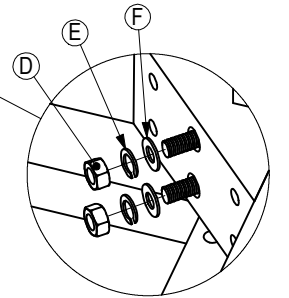
DO NOT TIGHTEN THE BOLTS UNTIL ALL HAVE BEEN CONNECTED

STEP 3



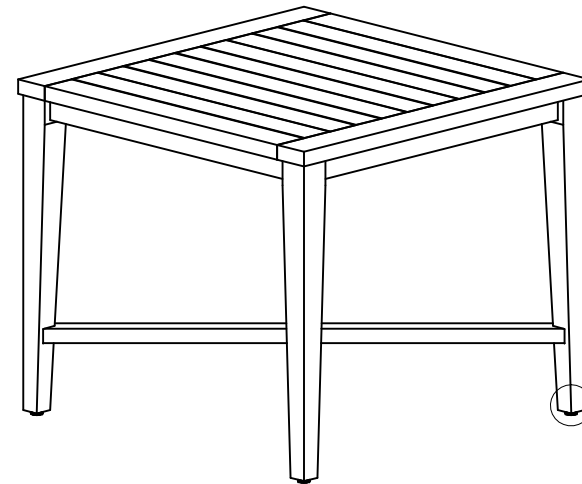
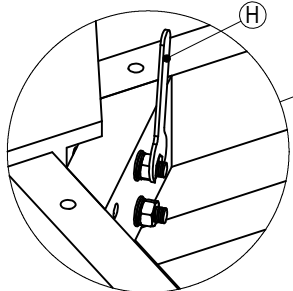
PAIR OF LEGS ON OPPOSITE CORNERS, DO NOT TIGHTEN THE BOLTS UNTIL ALL HAVE BEEN CONNECTED

STEP 4



TIGHTEN ALL THE BOLTS COMPLETELY

STEP 5



**ADJUST FEET LEVELERS
FINISHED**

